

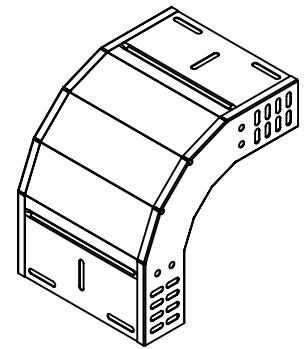
item number		height of cable tray (mm)	width of cable tray (mm)	B(mm)	thickness of metal sheet (mm)	weight		amount of bolts for connection
						_S	_F	
SO 90X60X50_S	SO 90X60X50_F	60	50	245	0,8	0,50	0,58	8
SO 90X60X75_S	SO 90X60X75_F	60	75	245	0,8	0,57	0,66	8
SO 90X60X100_S	SO 90X60X100_F	60	100	245	0,8	0,64	0,74	8
SO 90X60X150_S	SO 90X60X150_F	60	150	245	0,8	0,77	0,98	8
SO 90X60X200_S	SO 90X60X200_F	60	200	245	1,0	1,03	1,19	10
SO 90X60X300_S	SO 90X60X300_F	60	300	245	1,0	1,37	1,58	10
SO 90X60X400_S	SO 90X60X400_F	60	400	245	1,0	1,70	1,97	12
SO 90X60X500_S	SO 90X60X500_F	60	500	245	1,0	2,03	2,35	12
SO 90X60X600_S	SO 90X60X600_F	60	600	245	1,2	2,65	3,07	12



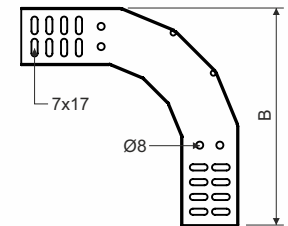
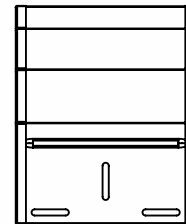
product description: The rising elbow is designed for the transition between a horizontal and sloping (vertical) cable tray. Use cable ladders for vertical trays even if horizontal trays are made by cable trays

Use the bolt NSM 6X10 for connection. The bolt head should be inside the cable tray to protect the cables.

A bolt with a GMT surface finish is used for a tray with an F surface finish.



surface finish: S - Pre-Galvanized, zinc-layer 13 - 27 µm
F - Hot Dip Galvanized according to EN ISO 1461, zinc-layer 45 µm (min. 35 µm)



sales amount: á 1 pc

certification: EN 61537:02

classification: ČSN 73 0895 P 90-R
DIN 4102-12 E 90
STN 92 0205 PS 90

Fire classification is depend on the specific conditions of the cable tray, detailed in the catalog Systems with maintained functionality in fire..

storage: EN 60721-3-1

